

SVN0.S08 Valve Series

SAE Cartridge - 300 bar

NO Single Lock Pilot Operated - Poppet Type

Description

Solenoid operated, 2-way 2-positions, normally open, piloted poppet type, screw-in cartridge valve.

Typically used as a blocking or load holding device for high pressure circuits. When the coil is de-energized, the SVN0.S08 allows flow from 2 to 1, while flow from 1 to 2 is severely restricted.

When the coil is energized the valve closes, blocking flow from 2 to 1. In this mode, flow from 1 to 2 is allowed once the pressure overcomes the force of the solenoid.

The rigid design using a 1-piece body contributes to minimize the effect of eccentricities in cavity and provides great reliability.

Low pressure drop thanks to optimized flow path.

Technical Features

All external surfaces are zinc plated and corrosion-proof.

All valve parts are made of high strength steel. Poppet is hardened and ground to ensure minimal wear and extended service life.

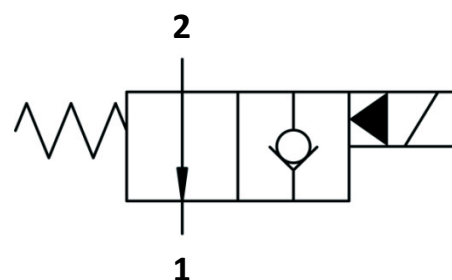
Coil seals protect the solenoid system.

Manual override option.

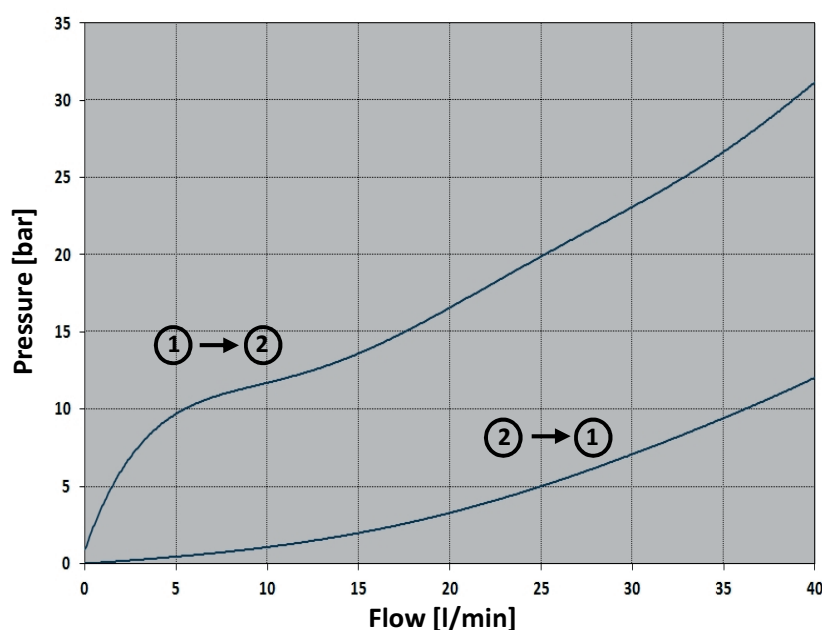
Industry common cavity.



Symbols



Performance Details



Technical Data

Maximum operating pressure: 300 bar

Maximum flow: 40 l/min

Internal leakage: max 5 drops/min @ 300 bar

Response time: Energized 20 msec,
De-energized 30 msec (typical 24V DC coil)

Temperature: -30°C to 110°C

Fluids: Mineral-based or synthetics with lubricating properties at viscosities of 7.4 to 420 cSt

Minimum pull-in voltage: 85% of nominal

Orientation: no restrictions

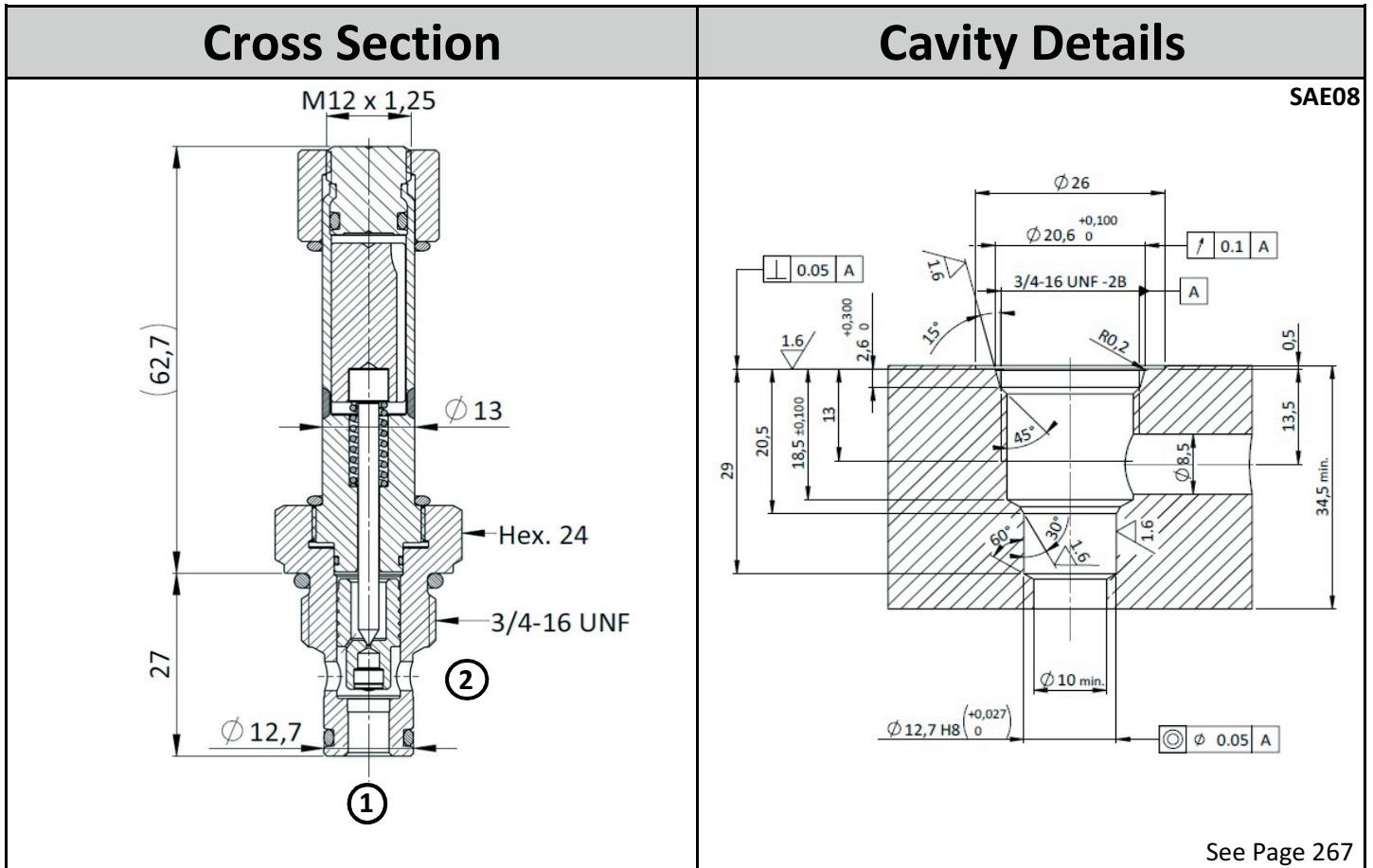
Installation torque: 40-45 Nm

Seal kit code: SK.030 and SK.027 (coil)

Weight: 0.120 kg

NOTE: The performance chart illustrates flow handling capacity in both directions (1 to 2 energized, 2 to 1 de-energized).

P/Q curves are recorded at $T_{oil} = 40^{\circ}C$ and 46 cSt



Ordering Code

S	V	N	0	.	S	0	8	.	0	*	.	*	0	0
↓ Valve Basic Code				↓ Cavity S08 = UNF - SAE08 Metric cavity available upon request				↓ Filtration (see table below for available options)		↓ Manual override (see table below for available options and page 257 for more details)		↓ Marking 0 = Standard factory marking Customized markings can be done upon request		

Manual Override		Filtration		Coil
Model Code	Type of override	Model Code	Type of Filter	
0	No override	N	No filter	
3	Push pin	F	Standard filter (mesh size 280µm)	
4	Push knob	Customized filters can be done upon request		
5	Screw			
Use 18W coil to operate this valve. For more details see page 259.				

Specifications may change without notice.